

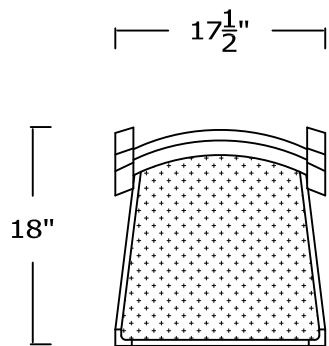
WREN



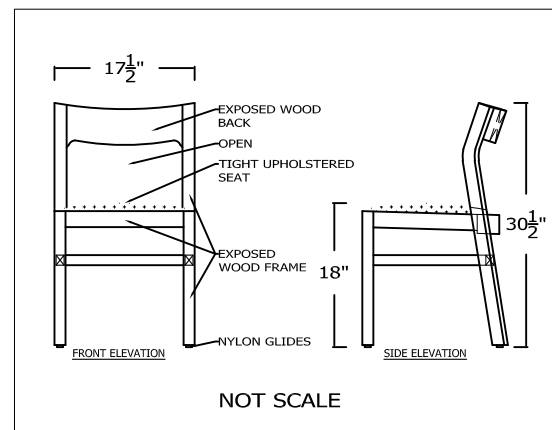
EST. 1959

ELITE
LEATHER
COMPANY

WREN | 134



L110-120-2 (LEATHER)
F110-120-2 (FABRIC)
CHAIR



EST. 1959

ELITE LEATHER COMPANY

SCALE: 3/4" = 1'-0". L OR R REFER TO LEFT- OR RIGHT- FACING, AS DETERMINED BY FACING THE PIECE.

ELITE LEATHER COMPANY RESERVES THE RIGHT TO CHANGE DIMENSIONS AND PRODUCTS OFFERED. A MORE RECENT SCHEMATIC MAY BE AVAILABLE FOR THIS COLLECTION. TO SEE THE MOST CURRENT SCHEMATIC AVAILABLE, VISIT WWW.ELITELEATHER.COM. THIS SCHEMATIC IS CURRENT AS OF 06/2017