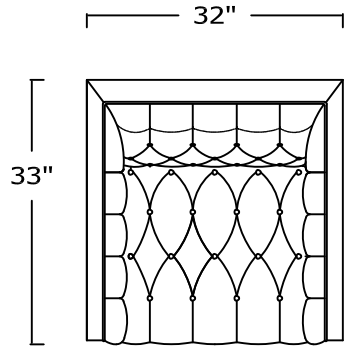


ELI

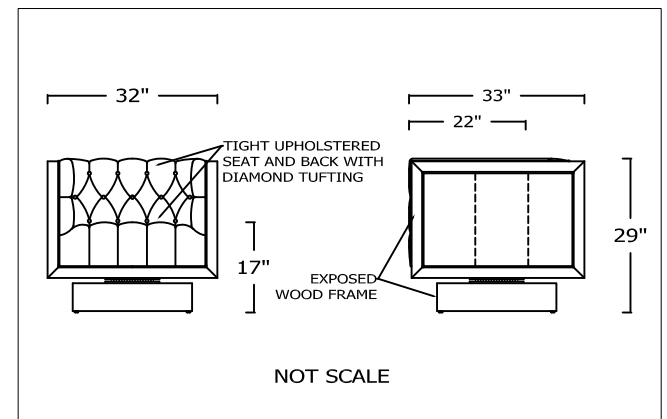


EST. 1959
ELITE
LEATHER
COMPANY

ELI | 120



32014-28P (LEATHER)
32014F-28P (FABRIC)
CHAIR



EST. 1959

ELITE
LEATHER
COMPANY

SCALE: 1/2" = 1'-0". L OR R REFER TO LEFT- OR RIGHT- FACING, AS DETERMINED BY FACING THE PIECE.

ELITE LEATHER COMPANY RESERVES THE RIGHT TO CHANGE DIMENSIONS AND PRODUCTS OFFERED. A MORE RECENT SCHEMATIC MAY BE AVAILABLE FOR THIS COLLECTION. TO SEE THE MOST CURRENT SCHEMATIC AVAILABLE, VISIT WWW.ELITELEATHER.COM.

THIS SCHEMATIC IS CURRENT AS OF 06/2017